

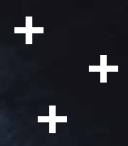


SHACMAN

OPTIMIZED

X

SERIES



Supported By
YONMING GROUP
44 Years Of Experience
In Spare Parts &
Services

AFTER SALES SERVICE TEAM
Over 38 Branches
Nationwide

24/7
365 DAYS
RES-Q
TEAM



Euro 5
Compliant



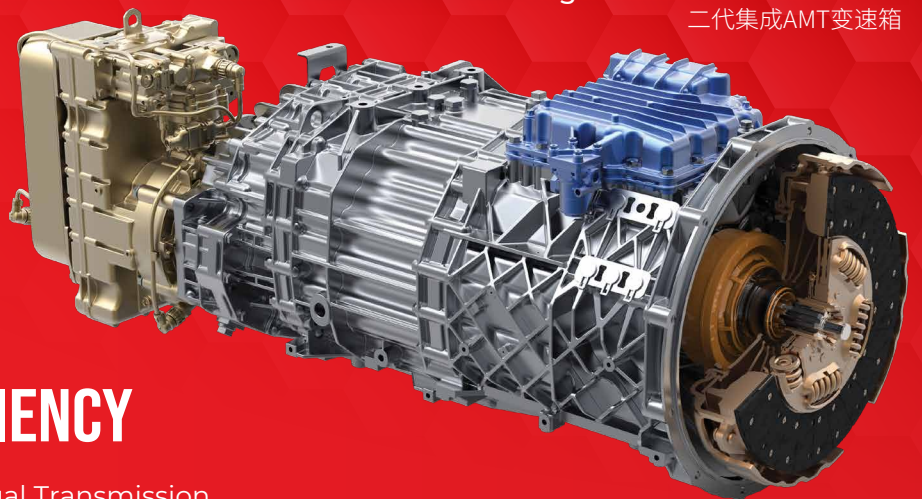
COMFORT AND STYLE

Leveraging modern technology, one may work in comfort and style. Improved noise isolation and expanded cabin space.





Gen-II Integrated AMT Transmission
二代集成AMT变速箱

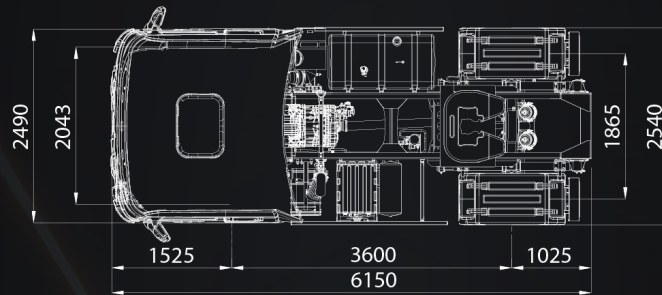
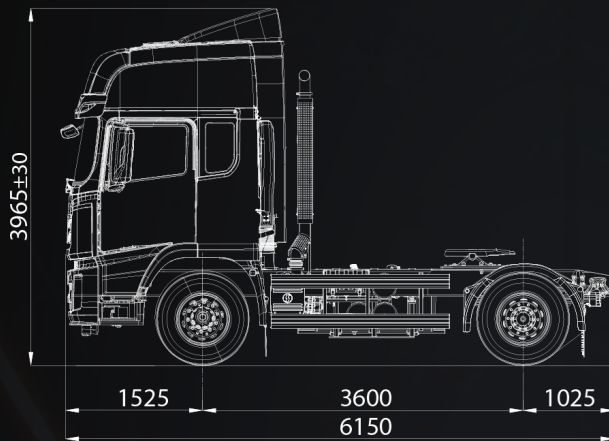


POWER EFFICIENCY

- ● ● AMT - Automated Manual Transmission
- ● ● allows the X-series to effortlessly attain even
- ● ● greater efficiency and performance.

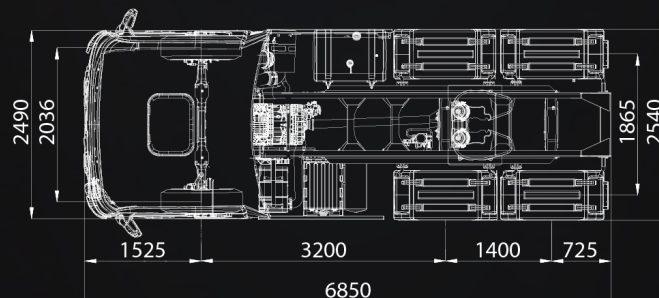
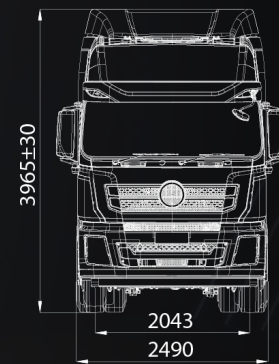
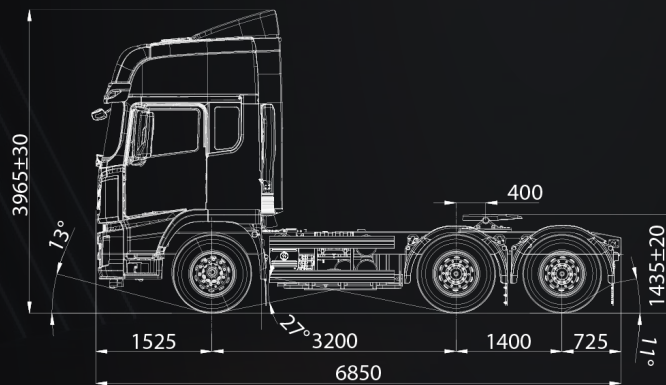
DIMENSIONS

4X2



DIMENSIONS

6X2 | 6X4



Model	X Series	X Series	X Series
Drive Type	4 x 2	6 x 2	6 x 4
Weight			
Complete kerb mass (kg)	7500	8940	9850
GVW (kg)	50000	70000	80000
Dimensions			
Max. length (mm)	6080	6760	6825
Max. width (mm)	2490	2490	2490
Max. height (mm)	3430	3430	3560
Front/Rear overhang (chassis)	1485/995	1485/725	1525/725
Wheel base (mm)	3600	3200+1350	3200+1400
Track width (mm)	2043/1860	2043/1860	2043/1860
Performance			
Max. speed (km/h)	110	110	110
Engine			
Brand	WEI CHAI	WEI CHAI	WEI CHAI
Model	WP12	WP12	WP12
Power (kw/HP)	294/1900/400HP	338/1900/460HP	338/1900/460HP
Max. Torque (N.m)/rpm	1920/1000-1400	2110/1000-1400	2110/1000-1400
Displacement (L)	11.596	11.596	11.596
Bore/Stroke (mm)	126/155	126/155	126/155
Transmission			
Brand	FAST	FAST	FAST
Control type	AMT-Automated Manual Transmission	AMT-Automated Manual Transmission	AMT-Automated Manual Transmission
Option	16 Speed Manual	16 Speed Manual	16 Speed Manual
Clutch			
Type	Single plate, diaphragm spring	Single plate, diaphragm spring	Single plate, diaphragm spring
Action	NIL	NIL	NIL
Brakes			
Type	Drum	Drum	Drum
Service brake	With dual - circuit Compressed air brake	With dual - circuit Compressed air brake	With dual - circuit Compressed air brake
Park brake	Power spring brake acting on rear wheel	Power spring brake acting on rear wheel	Power spring brake acting on rear wheel
Auxiliary brake	WEVB, WABCO ABS	WEVB, WABCO ABS	WEVB, WABCO ABS
Option	NIL	NIL	NIL
Steering			
Type	Integral circulating ball power steering	Integral circulating ball power steering	Integral circulating ball power steering
Option	BOSCH	BOSCH	BOSCH
Chassis			
Type	Ladder structure, widened and cross - section variable	Ladder structure, widened and cross - section variable	Ladder structure, widened and cross - section variable
Suspension			
Front Suspension	Longitudinal leaf spring	Longitudinal leaf spring	Longitudinal leaf spring
Rear Suspension	Inverted leaf spring stabilizator suspension	Inverted leaf spring stabilizator suspension	Inverted leaf spring stabilizator suspension
Axle			
Brand	HANDE	HANDE	HANDE
Front Exle	7500kgs	7500kgs	9500kgs
Rear Exle	Double / Single reduction driving axle with inter - wheel differential and differential lock.	Double / Single reduction driving axle with inter - wheel differential and differential lock.	Double / Single reduction driving axle with inter - wheel differential and differential lock.
Option	Spring / Air Suspension	Spring / Air Suspension	NIL
Tyres			
Type (Standard)	295 / 80R 225	295 / 80R 225	295 / 80R 225
Fuel tank			
Tank capacity (L)	500	500	500
Material	Aluminium	Aluminium	Aluminium
Electrics			
Type	24V	24V	24V
Starter	5.58kw (24V)	5.58kw (24V)	5.58kw (24V)
Generator	2.2kw (28V 70A)	2.2kw (28V 70A)	2.2kw (28V 70A)
Battery	2 X 180Ah	2 X 180Ah	2 X 180Ah
Cab			
Type	4V High Cab (Option : 5V Low Cab)	4V High Cab (Option : 5V Low Cab)	4V High Cab (Option : 5V Low Cab)
Equipments	2 Rear Window Glass, (4) Point Air Suspension Cab, Air Conditioner, Mechanical Chair With Seat Belts, one Sleeping Bed, Metal Bumper, Electric Power Window, Electric Heated Door Mirror & USB Plug-in Monitor Radio Player	2 Rear Window Glass, (4) Point Air Suspension Cab, Air Conditioner, Mechanical Chair With Seat Belts, one Sleeping Bed, Metal Bumper, Electric Power Window, Electric Heated Door Mirror & USB Plug-in Monitor Radio Player	2 Rear Window Glass, (4) Point Air Suspension Cab, Air Conditioner, Mechanical Chair With Seat Belts, one Sleeping Bed, Metal Bumper, Electric Power Window, Electric Heated Door Mirror & USB Plug-in Monitor Radio Player

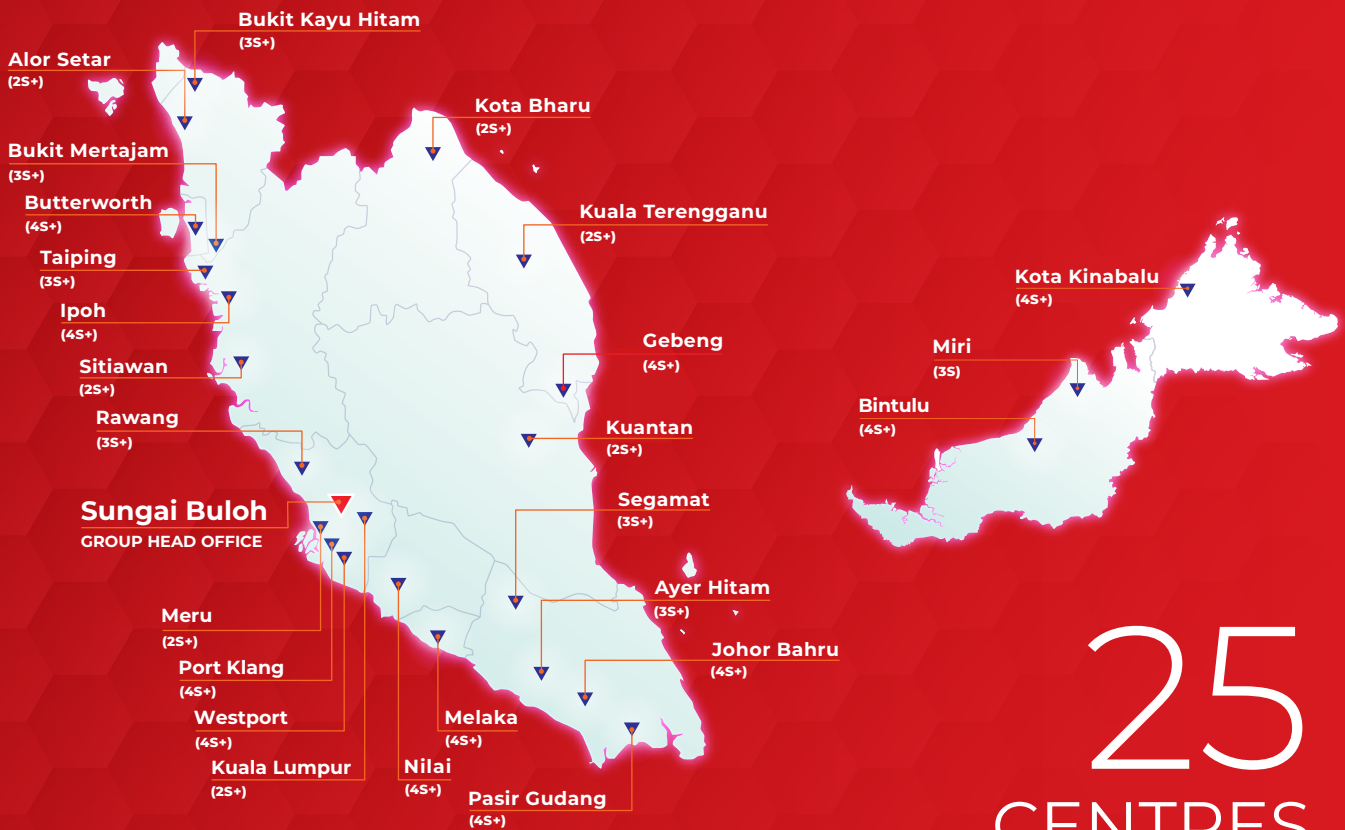


SHACMAN

陕汽重卡

SHAANXI TRUCKS SDN BHD

A Member of YONMING® GROUP



25 CENTRES



4 2S Centre 10 3S Centre 11 4S Centre

(2S) Component Part Sales
Safety & Truck Equipment Sales
(+) Outdoor Breakdown Services

(3S) Component Part Sales
Safety & Truck Equipment Sales
Maintenance Services

(4S) Component Part Sales
Safety & Truck Equipment Sales
Maintenance Services
Truck Sales

CONTACT US

Lot 63857, No.25 Lorong, Jalan Jala 14/Ks10, Telok Gong, 42000 Port Klang, Selangor, Malaysia.

+603 3163 1953

+6012 282 2948

sts@yonming.com

www.shacman.com.my